



2 WHEELED

Show Full Inc.
Show Full

MOBILE GARBAGE BINS (MGB)



120 litres Bin Trolley for refuse collection

Technology: Injection moulded
Material: high-density polyethylene (HDPE) UV stabilized
Wheels: 2 solid rubber wheels with corrosion resistant steel shaft
Lid-body attachment: Two plastic pivots
Colours: Green, Red, Blue, Yellow, Black and Grey
Origin: all manufactured in Taiwan



gray



black



green



red



yellow



blue



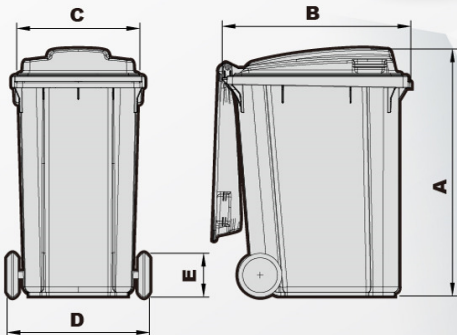
120 litres



240 litres



360 litres



SFGB - 2 wheeled bins	120 l.	240 l.	360 l.
Nominal Volume (l)	120	240	360
Nominal Payload (kg)	60	110	160
Dead Weight (kg)	8.45	13.5	15.3
A Total Height (mm)	977	1108	1125
B Total Depth (mm)	524	692	862
C Total Width (mm)	478	574	606
D Travelling Gear, width	470	550	600
E Wheel-Ø (mm)	200	200	200

Pantone 611 C Yellow

Pantone 187 C Red

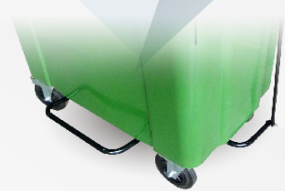
Pantone 647 C Blue

4 WHEELED

MOBILE GARBAGE BINS (MGB)



Smooth-running wheels with direction locks
Easy to handle and move



Optional foot pedal systems for lid opening

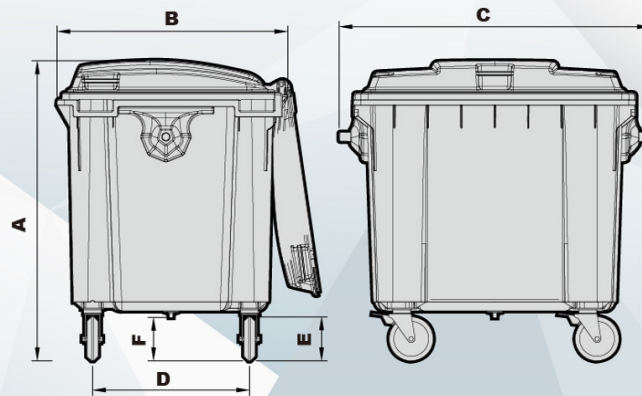
Technology: Injection moulded
Material: high-density polyethylene (HDPE) UV stabilized
Wheels: 4 swivel caster, 2 castes with brackets and corrosion resistant steel shaft.
Lid-body attachment: Four plastic pivots
Colours: Green, Red, Blue, Yellow, Black and Grey
Origin: all manufactured in Taiwan



660 litres



1100 litres



SFGB - 4 wheeled bins	660 l.	1100 l.
Nominal Volume (l)	660	1100
Nominal Payload (kg)	310	450
Dead weight (kg)	43.2	55.0
A Total Height (mm)	1050	1100
B Total Depth (mm)	788	1000
C Total Width (mm)	1424	1424
D Travelling gear, width (mm)	481	700
E Wheel-Ø (mm)	200	200
F Ground clearance (mm)	197	197

Pantone 364 U Green

Pantone 432 C

Pantone 433 C Black