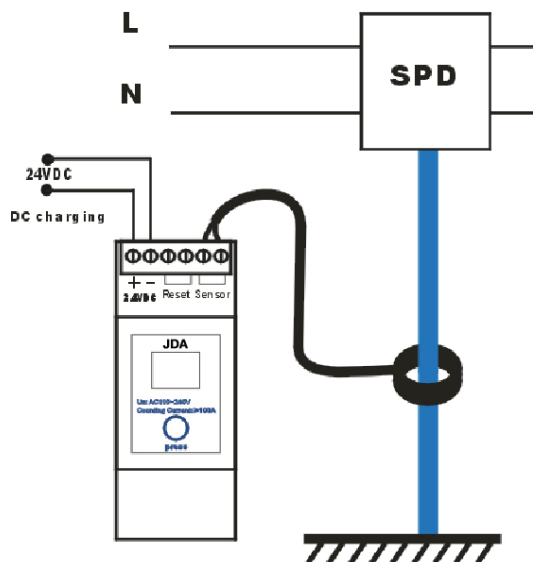
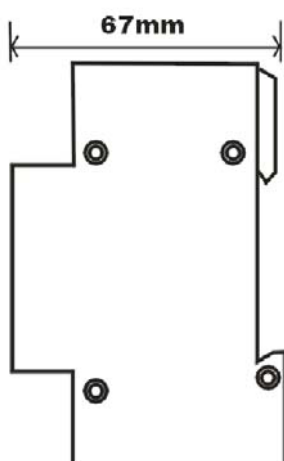
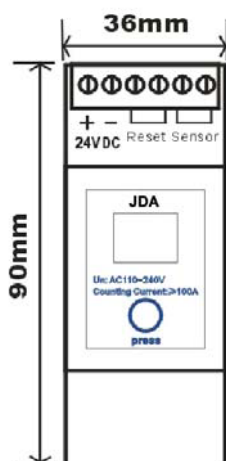




## Lightning Event Counter Type ECL-A-24

Lightning event counter is used for testing the lightning event in a certain area.



## Characteristics

Type	ECL-A-24
Max Current	100KA
Nominal Voltage	≥ 100A
Display Model	LED
LCD Indicator	Lightning Event 0~99
Current Sample Mode	Inductive Probe
Battery	Battery 7.2V , Exchangeable , service life > 1year
Operation temperature(°C)	-40~ + 80
Mounting on	35mm DIN rail
Dimension	2 modules , DIN 43880
Enclosure material	Thermoplastic ; extinguishing degree UL94 V-0

